

**SIB Series**  
single-in-line Strips  
breakable and solid insulator available  
**Unless otherwise specifically requested, the strips will be delivered either in solid or breakable plastic depending on availability of the insulator bodies.**

breakable shown      solide shown

2.50

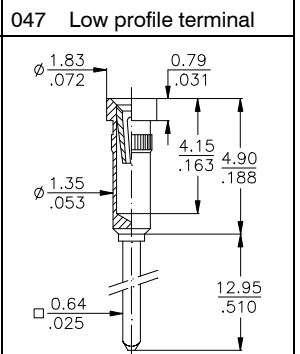
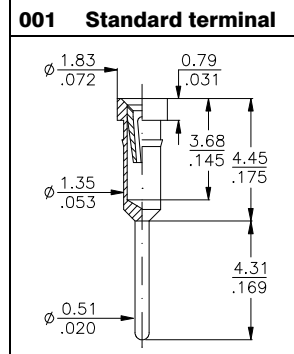
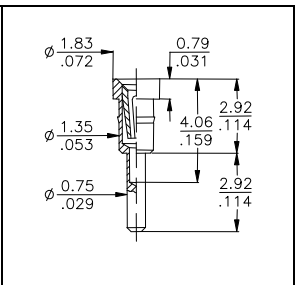
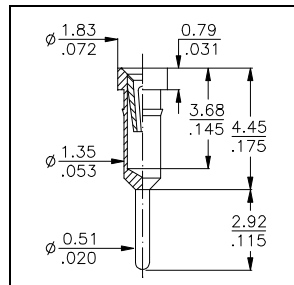
"head flush"      "head above"

**SIB Series**  
**Standard "head flush"**  
**SIB-1xx-Fxxx-xx**

**Alternative: "head above"**  
**SIB-1xx-Sxxx-xx**

Number of contacts standard breakable sizes  
**20; 32 and 40**

Number of contacts either breakable or solid available  
from **02 to 40**



**DIS & TIS Series**  
dual and triple row 2,54mm grid

2.54      5.00

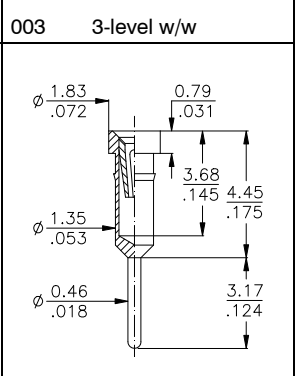
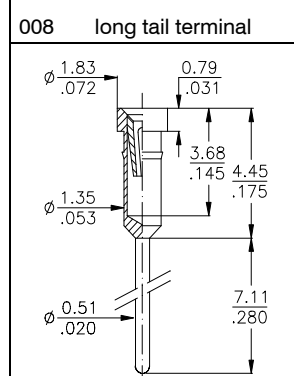
2.54

**DIS Series**  
**DIS-2xx-Fxxx-xx**

Number of contacts available  
from **04 to 80**

**TIS Series**  
**TIS-3xx-Exxx-xx**

Number of contacts available  
from **06 to 96**



**Strips**  
Other lengths & pin-outs available on request.

**Specifications**  
refer to page 49 of this catalogue

**Terminals**  
For other terminal styles please refer to the pages 46 to 48 of this catalogue or contact your closest sales office.

How to order

XXX - XXX - XXX - XX

<b>Series</b> SIB = single-in-line strips DIS = dual-in-line strips... TIS = triple-in-line strips...	<b>Rows</b> ..... 1 ..... 2 ..... 3	<b>Nbr of contacts</b> see above table	<b>Insulator</b> F = head flush S = head above E = Epoxy FR4 TIS Series only	<b>Terminal style</b> see drawings above or refer to pages 46 to 48 of this catalogue for other types.	<b>Plating</b> - 95 = tin/gold - 55 = gold/gold - 99 = tin/tin (tin is leadfree)
--	--	---	--	--	--