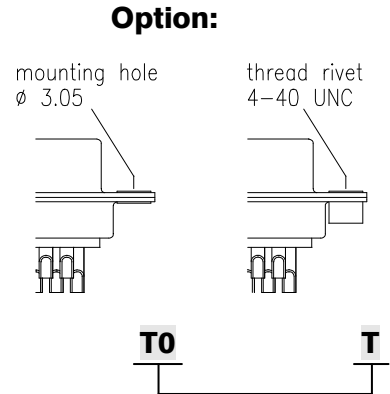
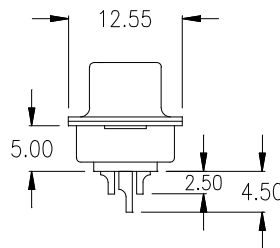
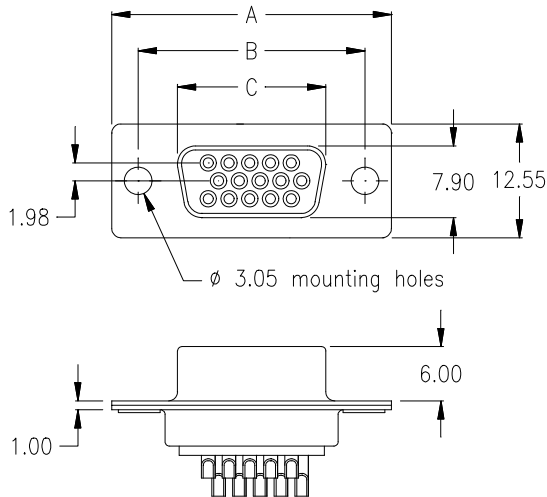
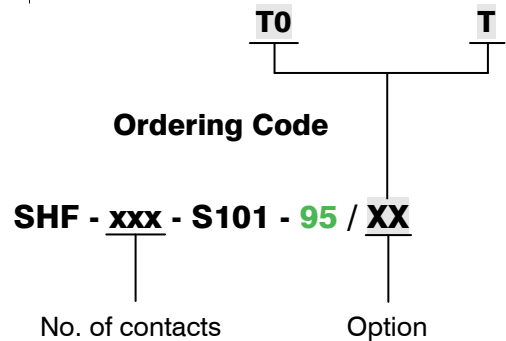


female



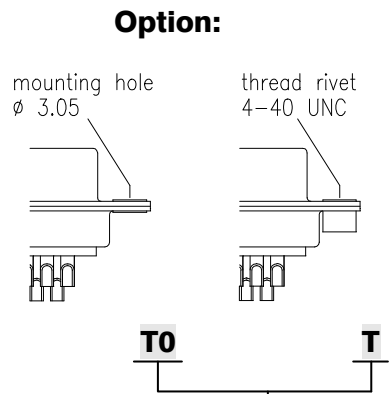
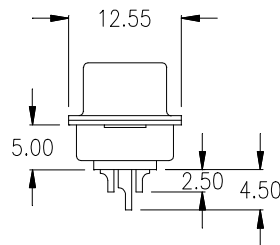
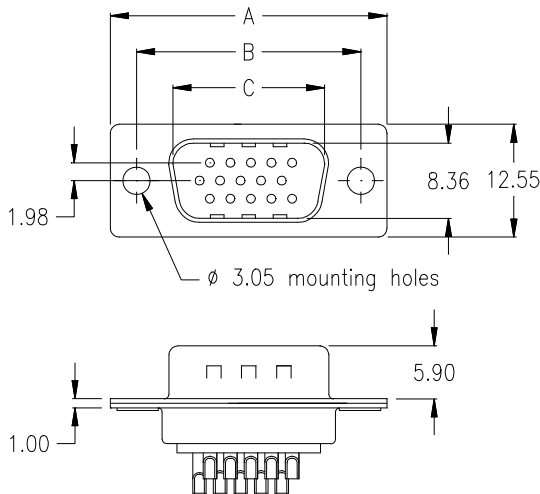
No. of contacts	Dimension		
	A	B	C
015	30.81 1.213	24.99 .984	16.33 .643
026	39.14 1.541	33.32 1.312	24.66 .971
044	53.04 2.088	47.04 1.852	38.38 1.511
062	69.32 2.729	63.50 2.500	54.84 2.159



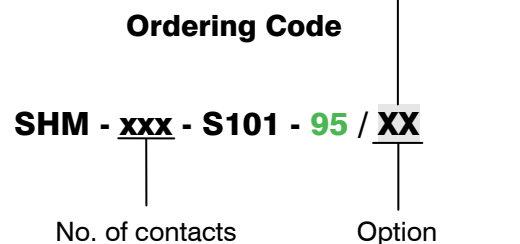
General Specification page 72

Plating: -95 = tin(leadfree)/gold

male



No. of contacts	Dimension		
	A	B	C
015	30.81 1.213	24.99 .984	16.92 .666
026	39.14 1.541	33.32 1.312	25.25 .994
044	53.04 2.088	47.04 1.852	38.96 1.534
062	69.32 2.729	63.50 2.500	55.42 2.182



General Specification page 72

Plating: -95 = tin(leadfree)/gold



mechanical data

Mating force per contact	≤ 3,4 N
Unmating force per contact	≥ 0,2 N
Temperature range	-55° C to +105° C
Processing temperature wave solder (solder bath)	+250°C +0/-5°C for 10sec.
Processing temperature SMT and “pin in paste”	+250°C +0/-5°C for 10sec.
Moisture absorption from air 50% rh	0,10%
IDC Connector types accept AWG 26 or AWG 28 standard wire	

materials and plating (RoHS compliant)

Insulator for wave solder technology, standard black - PC 99 colourful insulator	thermoplastic glassfilled UL 94V – 0 Yellowish brown - Pantone # 131C 15-pos. female Burgundy - Pantone # 235C 25-pos. female Teal - Pantone # 322C 9-pos. male Blue - Pantone # 661C HD 15-pos.
female	
Insulator for SMT and “Pin-In-Paste”	Nylon UL 94V-0
Shell	Steel, Ni plated
Bracket	Brass, tin plated
Male contact	Copper Alloy (Standard; others on request)
- plating	-95 = solder side Sn; contact side Au over Ni -55 = solder and contact side Au over Ni
Female contact	Copper Alloy (Standard; others on request)
- plating	-95 = solder side Sn; contact side Au over Ni -55 = solder and contact side Au over Ni -NN = Ni
D-Sub Accessories (page 70) plating	

electrical data

max. Current rating	5 A/25°C 3 A/70°C (High Density types 3A / IDC types 1A)
Operating voltage	250 V
Test voltage between contacts	1000 V / 50/60 Hz / 1 Minute
Test voltage between shell and contacts	1000 V / 50/60 Hz / 1 Minute
Resistance between mated contacts	< 30 m Ω
Insulation resistance	≥ 1000 M Ω at 500V DC
Dielectric strength	1000 V AC min. for 1 Minute
Volume resistivity	10 ¹⁶ Ω cm (ASTM-D 257)

available performance classes

E-tec D-Sub connectors comply with Performance Class 3 (min. 50 contact cycles).
Please contact E-tec first for availability of Performance Class 2 (min. 200 contact cycles) and 1 (min. 500 contact cycles)

D-Sub with Filter (ferrite)

Frequency range	10 - 300 MHz
Impedance	5 MHz - 15 Ω
	25 MHz - 30 Ω
	100 MHz - 50 Ω
	300 MHz - 75 Ω

